



# CleanCast™

Advanced cast saw and  
dust extraction systems

*introducing the Red Dot award winning design*

## QuietCast™

paediatric saw system

Distributed by:

Gateway Medical, NAOT Corporate Sponsor  
224 Rolling Hills Road Suite 12A  
Mooresville, NC 28117  
(704)655-9040

[www.gatewaymed.com](http://www.gatewaymed.com)



CONTACT US FOR SPECIAL NAOT PROMOTIONS

# de Souther

MEDICAL



# CleanCast™

## Oscillating cast saw systems

### Contents

|                   |        |
|-------------------|--------|
| Cordless saw      | page 2 |
| Paediatric saw    | page 3 |
| Low voltage saws  | page 5 |
| Mains voltage saw | page 7 |
| Accessories       | page 8 |
| Saw blades        | page 9 |



De Soutter Medical CleanCast™ and QuietCast™ products comply with European Medical Device Directive 93/42 EEC and sets the highest standards for particulate filtration efficiency thus assisting conformance with COSHH and other international particle exposure regulations.



All products in this catalogue are supported by the De Soutter Medical fully comprehensive warranty.

**de Soutter**  
MEDICAL

# Battery Powered Saw

## Cordless

The De Soutter Medical CSB-100 saw allows the user total freedom of movement, which is particularly useful for medical emergency services, ward work, the veterinary profession and numerous other applications where the cordless concept is the only practical solution.



**CSB-100**

### Saw specification

|                   |            |
|-------------------|------------|
| Saw model         | CSB-100    |
| Oscillating speed | 16000 cpm  |
| Battery voltage   | 10.8 Vdc   |
| Weight            | 1050 grams |
| Order code        | 1286224    |

Supplied with saw blade Part No. 6250.  
See page 9 for other saw blade options.



### Battery charger

Supplied with interchangeable mains supply adaptors for use in most countries.

|                  |               |
|------------------|---------------|
| Charger model    | BC-100        |
| Supply voltage   | 100 - 240 Vac |
| Supply frequency | 50 - 60 Hz    |
| Order code       | 15020         |

--

|            |               |
|------------|---------------|
| Voltage    | 10.8 Vdc NiMH |
| Capacity   | 2600 mAh      |
| Order code | 15010         |



### CSB-100-A Cast Saw System

Order code 1286774 - comprising of:

|                    |                  |
|--------------------|------------------|
| CSB-100 Saw        | Part No. 1286224 |
| CB-100 Battery x 2 | Part No. 15010   |
| BC-100 Charger     | Part No. 15020   |
| Saw blade          | Part No. 6250    |
| Hexagon wrench     | Part No. 204903  |
| Carry case         | Part No. 15030   |

# Battery/Mains Powered Saw

## Paediatric

Specifically developed for paediatric use, the Red Dot award winning CSP System is exceptionally quiet and compact minimising patient anxiety. The CSP System offers both battery and mains power options, and lithium ion battery technology provides an unrivalled power to weight ratio.



reddot design award  
winner 2011

### CSP-201 Saw

with BP-201  
Pro battery pack

#### Saw specification

|                   |                   |
|-------------------|-------------------|
| Order code        | 1286994           |
| Saw model         | CSP-201           |
| Oscillating speed | 14800 - 17500 cpm |
| Handpiece weight  | 319 grams         |
| Noise level       | 55 dB(A)          |

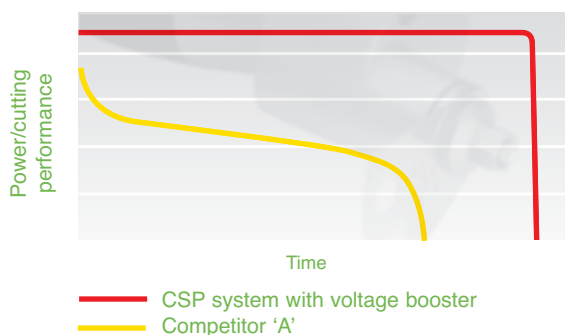
- Soft start feature with noise control helps minimise patient anxiety.
- Rapid charging time - under 3 hours.
- Continuous 2 hour - cutting performance.
- Built-in service reminder - 300 charging cycles.
- Display allows the user to select the optimum cutting speed and view the remaining battery capacity.
- Micro processor controlled voltage booster ensures constant cutting performance - zero deterioration. See graph below.

#### Battery specification

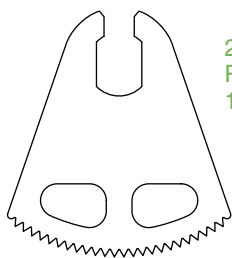
|                         |           |
|-------------------------|-----------|
| Order code              | 15250     |
| Battery pack model      | BP-201    |
| Battery capacity        | 30.8 Wh   |
| Battery weight          | 437 grams |
| Charging time from flat | > 3 hours |

An integral clip with both battery pack or mains power adaptor for increased portability.

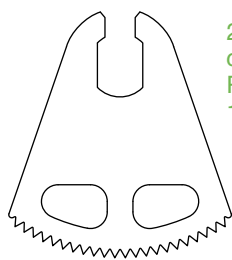
CSP system power/cutting performance



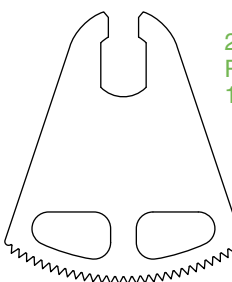




25 mm  
Part No.  
15310



25 mm  
course  
Part No.  
16120



29 mm  
Part No.  
15320

**Mains operation:**  
The CSP-201 saw is fitted to  
the IC-201 Inter Connector  
and PS-201 Power Supply.



### CSP-201-A Pro Cast Saw System

Order code 1286984 - comprising:

|                         |         |
|-------------------------|---------|
| CSP-201 Saw and cable   | 1286994 |
| BP-201 Battery Pack Pro | 15250   |
| IC-201 Inter Connector  | 15270   |
| PS-201 Power Supply     | 15280   |
| Carry Case              | 15290   |
| Wrench                  | 15300   |
| Saw blade               | 15310   |
| Saw blade               | 15320   |

Please specify Cordset required. See below

### Mains Supply Cordsets

2 metres long

|                 |       |
|-----------------|-------|
| UK - C7 plug    | 15610 |
| EUR - C7 plug   | 15620 |
| USA - C7 plug   | 15630 |
| AUS - C7 plug   | 15640 |
| Japan - C7 plug | 15650 |
| Swiss - C7 plug | 15650 |

# Low Voltage Saws

## Corded electric

The CC5 and CC6 models combine the latest technological features with a functional, ergonomic handgrip. The smooth contours are designed to fit comfortably in the hand while providing the ideal cutting position. The balanced weight distribution increases manoeuvrability and helps to reduce wrist fatigue.

On the CC5 model, the dust extraction path is ducted internally through the handpiece which significantly improves visibility and handling in comparison to conventional saws fitted with extraction.

Rubber motor mounts insulate the internal mechanism from the outer case. This results in extremely low noise and reduces vibration to the operators hand.

A two speed control on the handpiece gives a quieter, low speed setting which is ideal for use with children and a high speed setting for fast removal of thick body casts.



### Power Supply

CC5 and CC6 saws require their own low voltage power supply unit. On the CC5 model, the power supply is integral with the dust extraction unit. CC6 Saw is supplied by the PS6 power supply unit. See opposite page for options.

Optional wall mounting bracket.



Part No. 7670



**CC5**

**CC6**

### Handpiece Specification

|                        |           |
|------------------------|-----------|
| High oscillating speed | 16000 cpm |
| Low oscillating speed  | 11800 cpm |
| Voltage                | 22/29 Vdc |
| Weight                 | 850 grams |
| Sound level            | 68 dB(A)  |
| Length                 | 245 mm    |

See opposite page for ordering instructions.  
See page 8 and 9 for accessories and saw blade options.

## Power Supply for CC6

The power supply unit can be either bench mounted or wall mounted with the fixings provided.

|                  |                  |
|------------------|------------------|
| Output voltage   | 22/29 Vdc        |
| Supply frequency | 50 - 60 Hz       |
| Weight           | 1510 grams       |
| Dimensions - mm  | 215L x 63H x 98W |



## Extractor unit for CC5 and CC4



The four stage filtration system consisting of an easy to change disposable collection bag, two cloth filters and a micro filter. The micro filter retains 99.997% of all dust particles greater than 0.5 microns.

Suction can be switched between powerful 'high' and quiet 'low' setting to suit operator and patient convenience.

The extractor with its exceptional dust filtration capability can be connected to either the CC5 or CC4 saw. When the saw is switched on, the extractor starts automatically. Likewise, the extractor stops automatically five seconds after the saw is switched off, thereby ensuring the system is purged of all cast particles.

The hose attachment position and low centre of gravity make the extractor very stable thus preventing accidental overturning.



**System complete CC5A**

## Extractor Specification

|                    |                       |
|--------------------|-----------------------|
| Motor power (max.) | 1 kW                  |
| Supply voltage     | 240 or 100 - 120 Vac  |
| Supply frequency   | 50 - 60 Hz            |
| Suction            | 2500 water gauge mm   |
| Filtration         | 99.997% > 0.5 microns |
| Dust bag capacity  | 7.5 litres            |
| Sound level        | 58 dB(A)              |

See page 8 for replacement filters and paper collection bag.

## How to order CC5 system - with extraction

| System components             |          | U.K. 230 V  | Euro plug 230 V | U.S. plug 120 V (CSA) |
|-------------------------------|----------|-------------|-----------------|-----------------------|
| CC5 saw                       | Part No. | 1270554     | 1270554         | 1280664               |
| PS5 power supply              | Part No. | 609053      | 609053          | 609983                |
| Hose kit                      | Part No. | 6400        | 6400            | 6400                  |
| Extractor                     |          | 1190        | 7020            | 7140                  |
| Complete system ordering code |          | CC5A-230 UK | CC5A-230 EU     | CC5A-120 US           |

## How to order CC6 system - less extraction

|                               |          |             |             |             |
|-------------------------------|----------|-------------|-------------|-------------|
| CC6 saw                       | Part No. | 1270664     | 1270664     | 1280774     |
| PS6 power supply              | Part No. | 609073      | 609083      | 628703      |
| Complete system ordering code |          | CC6A-230 UK | CC6A-230 EU | CC6A-120 US |

CC5 and CC6 saws, power supplies and extractor are type tested to EN60601-1:1990, BS5724: Part 1: 1989, IEC 601-1: 1988. 120 V model is CSA approved.

# Mains Voltage Saw

## High power

The CC4 with its powerful 110 watt motor maintains rapid and efficient cutting on the thickest of body casts.

The knurled grip close to the saw blade provides the operator with excellent control and flexibility of movement.

There is an optional clear extraction hood which ensures good visibility when cutting. The hood is fully rotatable to suit the most convenient cutting position.

See extractor on page 6 for full extractor specification.

### CC4 saw specification

|                   |                    |
|-------------------|--------------------|
| Oscillating speed | 14000 cpm          |
| Voltage           | 230 Vac or 120 Vac |
| Weight            | 1300 grams         |
| Sound level       | 70 dB(A)           |
| Length            | 333 mm             |

See page 8 and 9 for accessories and saw blade options.



Extraction hood with 2 metre hose. Part No. 78472.

**System complete  
CC4A**



**CC4**

### How to order CC4 system - with extraction

| System components             |          | U.K. 230 V | Euro plug 230 V | U.S. plug 120 V | AUS plug 230 V |
|-------------------------------|----------|------------|-----------------|-----------------|----------------|
| CC4 saw                       | Part No. | 1273884    | 1273884         | 1273994         | 1273884        |
| Hose kit                      | Part No. | 78472      | 78472           | 78472           | 78472          |
| Extractor                     | Part No. | 1190       | 7020            | 7140            | 9490           |
| Complete system ordering code |          | CC4A-230UK | CC4A-230EU      | CC4A-120US      | CC4A-230AUS    |

### How to order CC4 system - less extraction

|         |               | U.K. 230 V | Euro plug. 230 V | US plug. 120 V | AUS plug 230 V |
|---------|---------------|------------|------------------|----------------|----------------|
| CC4 saw | Ordering code | 1280004    | 1270994          | 1280554        | 1281444        |



# Accessories



Secondary cloth filter  
Part No. 603213.



Primary cloth filter  
Part No. 603203.



Disposable Hepaflow synthetic  
collection bags. Supplied in  
packs of 10.  
Part No. 602763.



Hose clip  
Part No. 603093.



2 metre length extraction hose.  
Part No. 216933.



CC4 extraction hood elbow.  
Part No. 2920.



CC4 extraction hood.  
Part No. 600003.



CC5 extraction hood.  
Part No. 608353.



Blade wrench.  
Part No. 204903.

Blade retainer.  
Part No. 610073



Large, two handed  
cast spreader.  
Part No. 5130.



Small, single hand  
cast spreader.  
Part No. 5120.



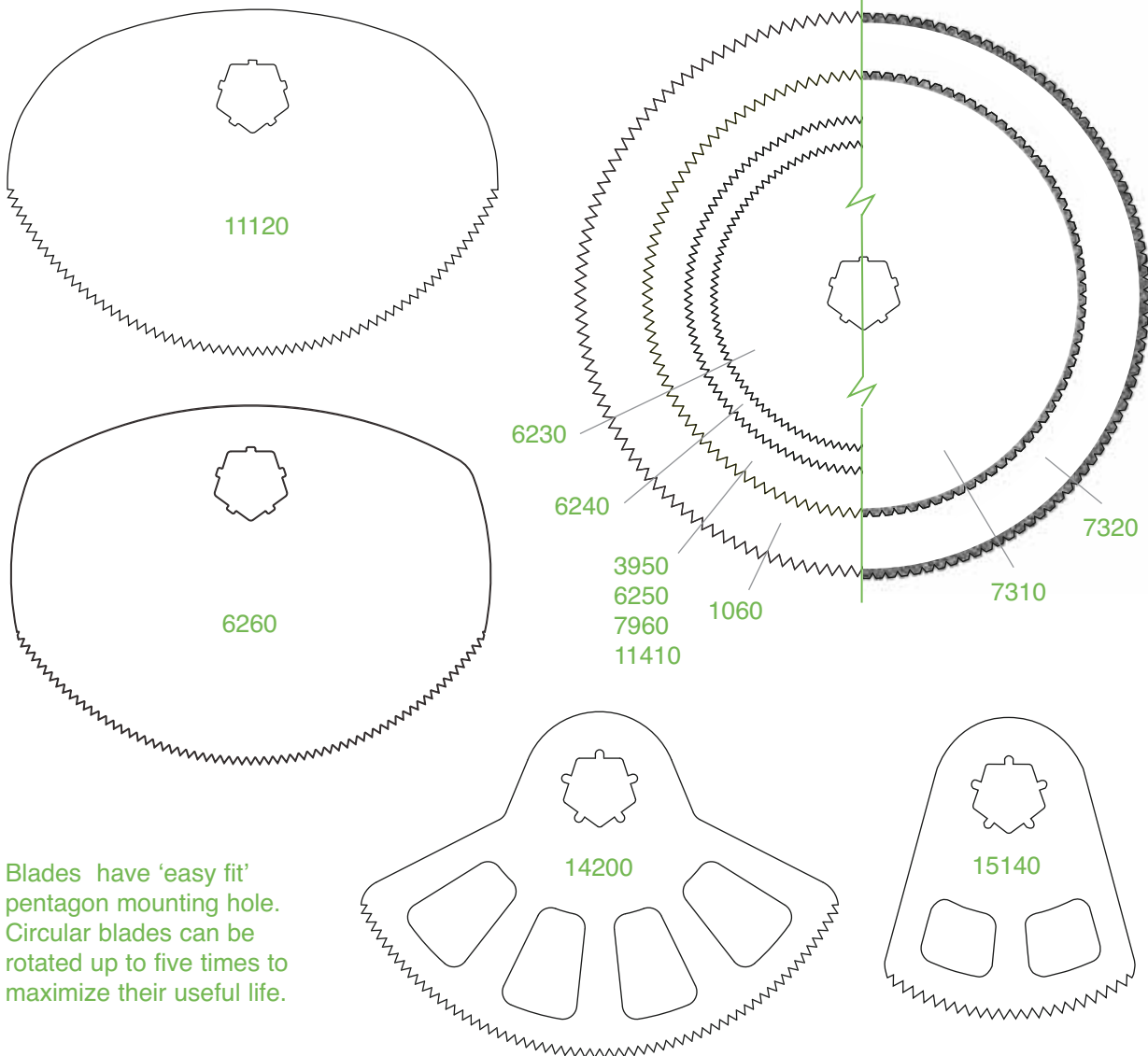
Plaster shear.  
Part No. 7680.



Underpadding scissors.  
Part No. 15150.

# Saw Blades

## For CleanCast™ saws



Blades have 'easy fit' pentagon mounting hole. Circular blades can be rotated up to five times to maximize their useful life.

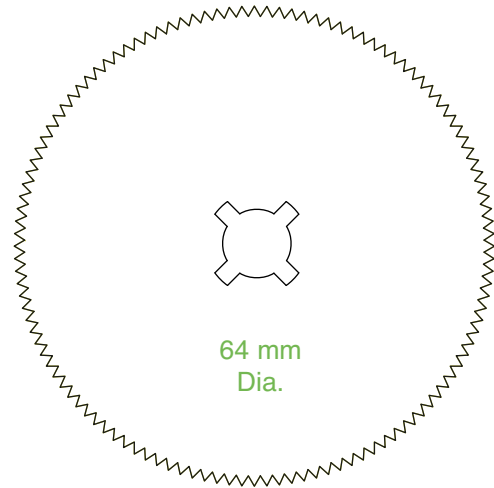
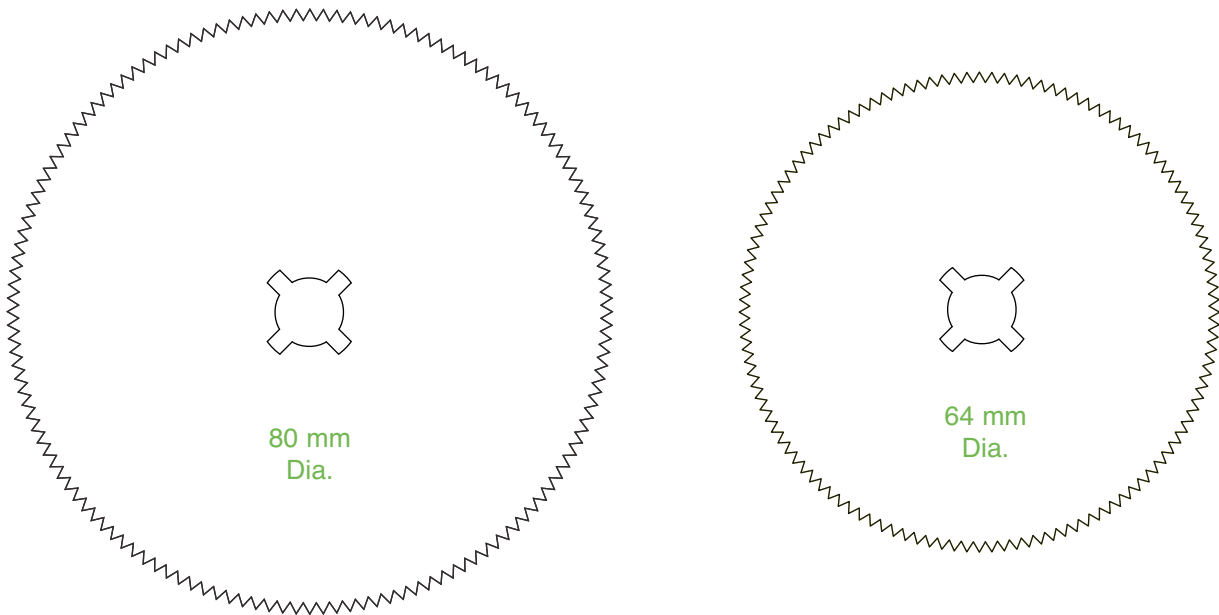
### Blade range/Part no. All blades are sold in boxes of 5.

| Blade dia mm                             | Blade shape | Hard chrome PTFE coated | Stainless steel     | Ion nitride | Titanium nitride | Diamond            |
|--|-------------|-------------------------|---------------------|-------------|------------------|--------------------|
| 44                                       | Circular    | 6230                    |                     |             |                  |                    |
| 50                                       | Circular    | 6240                    |                     |             |                  |                    |
| 64                                       | Circular    | 6250                    | 7960                | 11410       | 3950             | 7310               |
| 80                                       | Circular    | 1060 <sup>1)</sup>      |                     |             |                  | 7320 <sup>1)</sup> |
| 64                                       | Segment     |                         | 15140 <sup>2)</sup> |             |                  |                    |
| 76                                       | Segment     |                         | 14200               |             | 11120            |                    |
| 80                                       | Segment     | 6260                    |                     |             |                  |                    |
| POP - Gypsona                            |             | Optimal                 |                     |             |                  |                    |
| Fibreglass - Deltalite/Scotchcast        |             | Suitable                |                     |             |                  |                    |
| Polyester - Deltalite/Benicast/CellaCast |             | Not recommended         |                     |             |                  |                    |

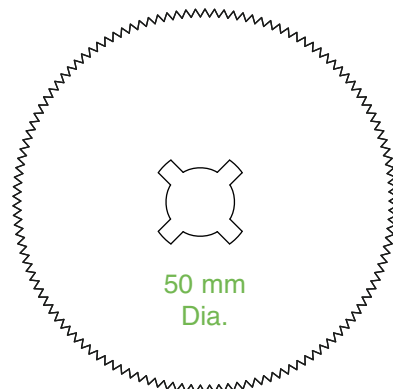
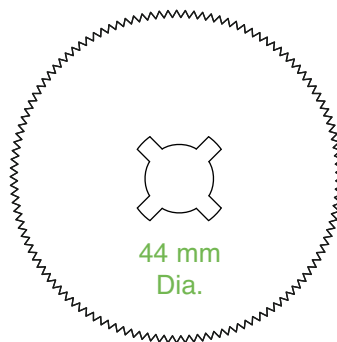
<sup>1)</sup> Not suitable for Model CC5.

<sup>2)</sup> Low noise/vibration blade - ideal for paediatric use.

# Universal



Blades have a universal mounting hole. They can be rotated up to four times to maximize their useful life. These blades can be used with these cast saw brands.



- Stryker
- Aesculap
- Zimmer
- M-Pact
- Martin
- BSN

**Blade range/Part no.** All blades are sold in boxes of 5.

| Blade dia mm                                    | Blade shape | Hard chrome PTFE coated | Titanium nitride |
|---|-------------|-------------------------|------------------|
| 44  | Circular    | 7040                    |                  |
| 50  | Circular    | 7800                    |                  |
| 64  | Circular    | 1180                    | 7790             |
| 80  | Circular    | 7810                    |                  |
| <b>POP - Gypsona</b>                            |             |                         |                  |
| <b>Fibreglass - Deltalite/Scotchcast</b>        |             |                         |                  |
| <b>Polyester - Deltalite/Benicast/CellaCast</b> |             |                         |                  |



For further information on De Soutter Medical cast removal systems and other De Soutter Medical products, please contact the address in your area.

#### **UNITED KINGDOM**

De Soutter Medical Limited  
River Park, Billet Lane, Berkhamsted, Hertfordshire HP4 1HL  
Tel: +44 (0) 1442 860300  
Fax: +44 (0) 1442 860333  
Email: info@de-souttermedical.com

#### **GERMANY**

De Soutter Medical  
Niederlassung Deutschland, Kladenfloss, D-66625 Nohfelden  
Tel: 0 68 52-99 12 46  
Fax: 068 52-99 12 47  
Email: de-soutter@t-online.de

#### **FRANCE**

De Soutter Medical France  
33260 La Teste de Buch, France  
Tel: +(33) 06 75 51 68 66  
Fax: +(33) 05 56 22 23 97  
Email: France@de-soutter.com

#### **ITALY**

De Soutter Medical (Italia)  
Palazzo Marco Polo, Il Girasole, 20084 Lacchiarella, Milano, Italia  
Tel: 02 90094098  
Fax: 02 90092673  
Email: info@de-souttermedical.it

#### **AUSTRIA**

De Soutter Medical  
Niederlassung Österreich, Hofkirchnergasse 3/1/30, A-3400 Klosterneuburg  
Tel: +43 (0) 676-96 71 770  
Fax: +43 (0) 2243-21 656  
Email: austria@de-soutter.com

#### **AUSTRALIA**

De Soutter Medical Australia Pty Ltd  
2/12-14 Apollo Drive, Hallam, Victoria 3803  
Tel: 03 9702 4441  
Fax: 03 9702 4484  
Email: Australia@de-souttermedical.com

[www.de-soutter.com](http://www.de-soutter.com)